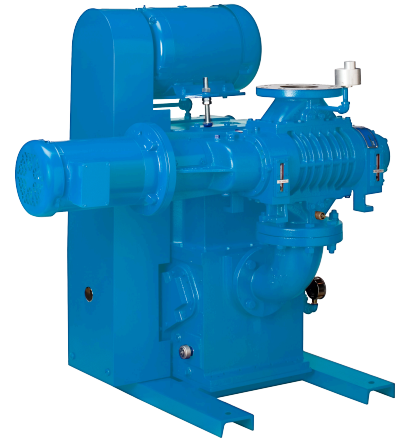


Mechanical Booster Vacuum Pump Systems

Models

CB2415 CB4015 CB4030

Kinney® Compact Booster Systems combine the features of Kinney KT™ Pumps and Integral Drive Boosters into a space efficient package capable of continuous high pumping capacity down to 10 microns. They are suitable for use in vacuum furnace, vacuum coating, sputtering, space simulation, and other applications.



Features

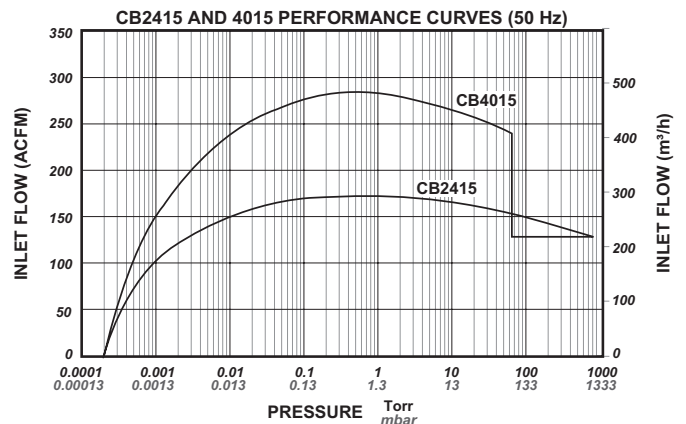
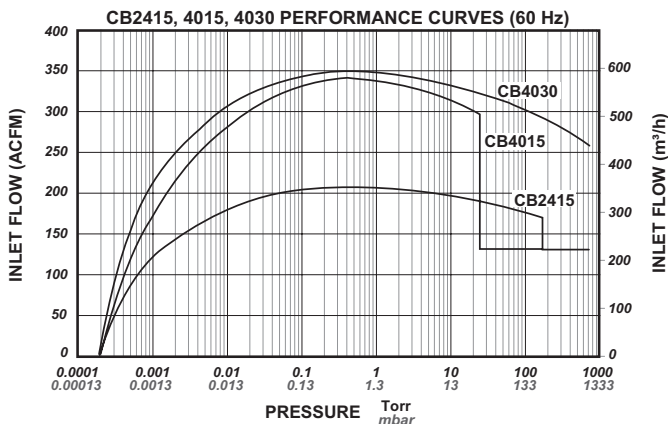
- High pumping capacity
- Compact envelope
- Quiet, vibration-free
- Water-cooled for low operating temperature
- Tough, durable pumps

Specifications

SYSTEM MODEL	Hz	CIP ¹ (TORR)	MAXIMUM COP ² (TORR)	BOOSTER MODEL	DISPLACEMENT CFM / m ³ /h	HP/kW	PUMP MODEL	DISPLACEMENT CFM / m ³ /h	HP/kW
CB2415	60	180	*	KMBD-240C	240 / 400	3 / 2.2	KT-150	150 / 250	7.5 / 5.6
	50	760	*						
CB4015	60	25	25	KMBD-400C	400 / 680	3 / 2.2	KT-150	150 / 250	7.5 / 5.6
	50	50	50						
CB4030	60	760	760	KMBD-400C	400 / 680	5 / 3.7	KT-300	300 / 500	15 / 11
	50	760	760						

¹ CIP = Cut-in Pressure ² COP = Continuous Operating Pressure *Limited by motor HP

Typical Pumping Speed Curves

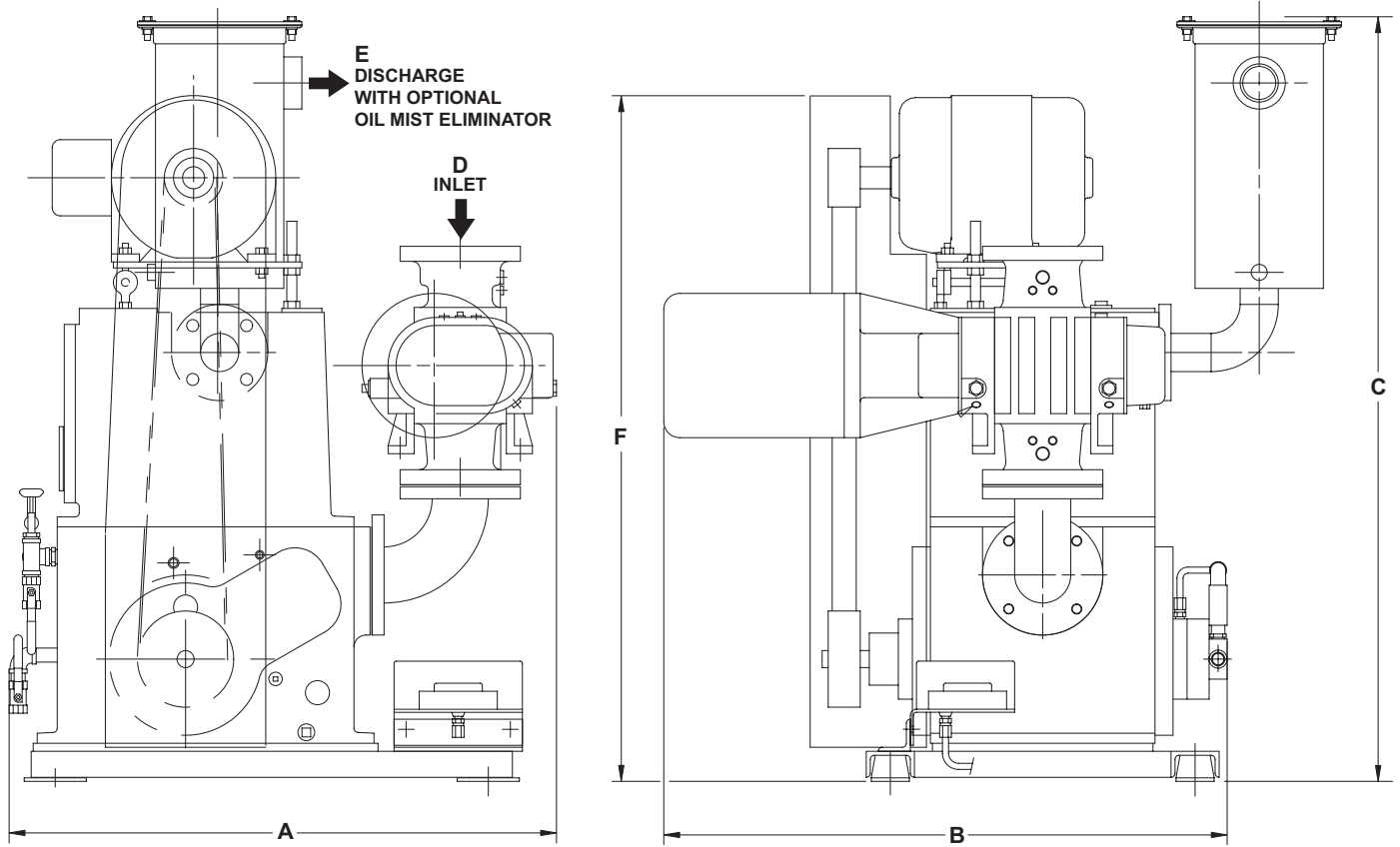


Dimensions

Values shown are approximate and should not be used for construction.

Certified drawings are available through your local Tuthill Vacuum & Blower Systems Sales Professional.

Models CB2415, CB4015, CB4030



MODEL	A	B	C	D INLET	E DISCHARGE	F	G
CB2415	36 / 914	35 / 889	49 / 1245	3" FLG	2" NPT	44 / 1118	42 / 1067
CB4015	36 / 914	39 / 991	48 / 1219	4" FLG	2" NPT	44 / 1118	48 / 1279
CB4030	39 / 991	42 / 1067	57 / 1448	4" FLG	3" NPT	52 / 1321	50 / 1270

Standard Configuration

- Integral Drive Booster
- Kinney® KT™ Pump
- Dual Voltage 3/60/230-460V TEFC Motors
- Pressure Switch
- Overtemperature Switch
- Steel Base with VibraMounts

Options

- Oil Mist Eliminator
- Suction Flexible Connector
- Cooling Water Solenoid Valve
- Motor Controls
- Air Cooling Systems

Your Local Tuthill Vacuum Blower Systems Sales Professional:



Tuthill Vacuum & Blower Systems

4840 West Kearney Street

Springfield, Missouri USA 65803-8702

o 417.865.8715 800.825.6937 f 417.865.2950

tuthillvacuumblower.com



TH-032 01/17